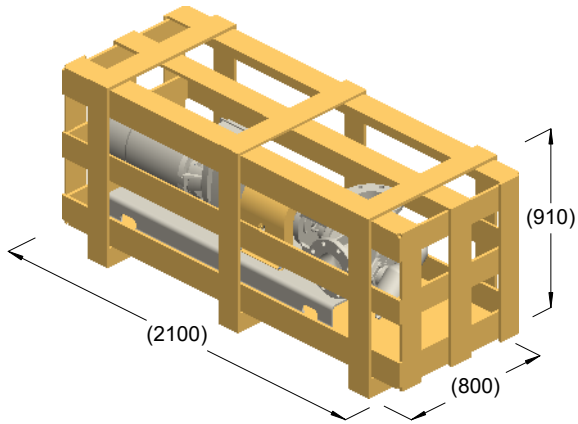
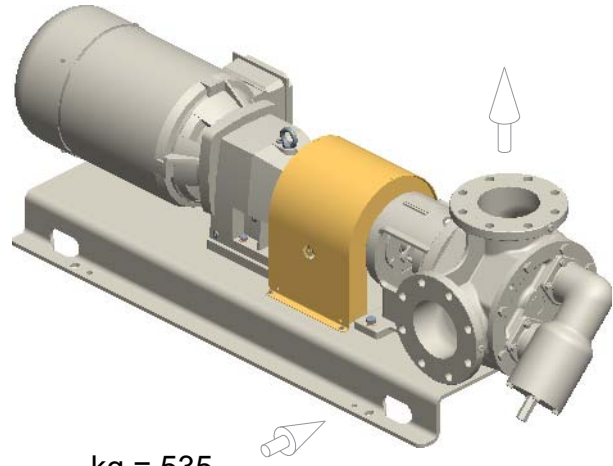


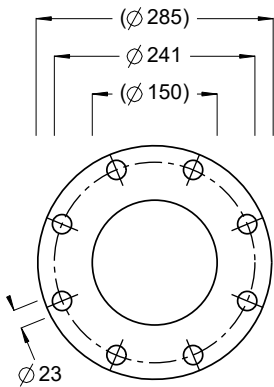
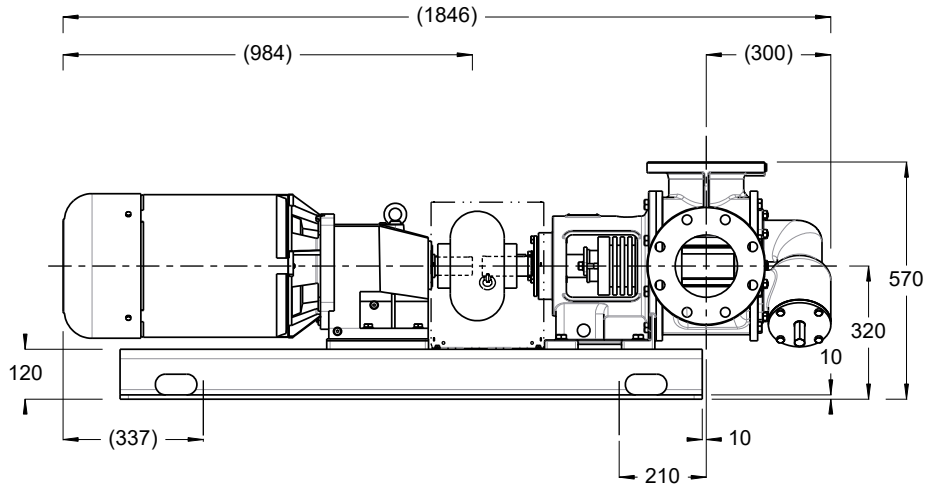
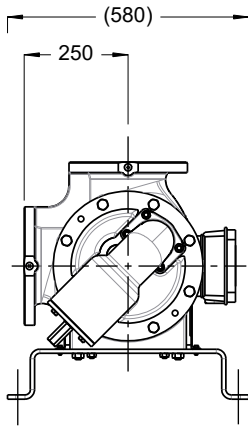
R151 ...B+Y/18RN42T184



kg = 624
m³ = 1.17



kg = 535



ISO DN150 PN16
ANSI 6" 150lb

