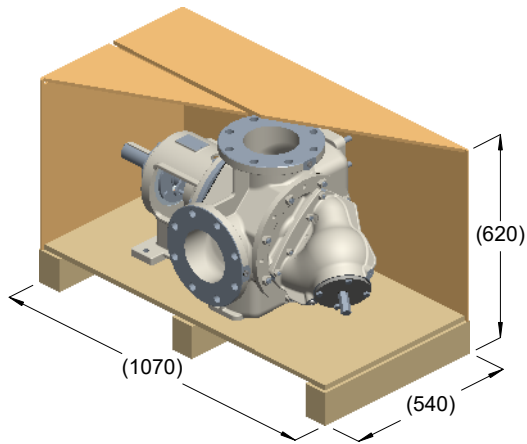
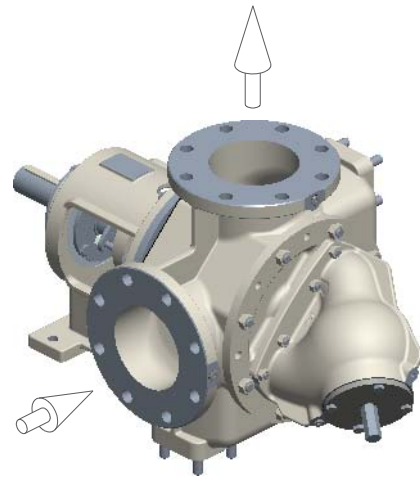




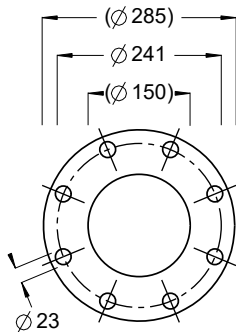
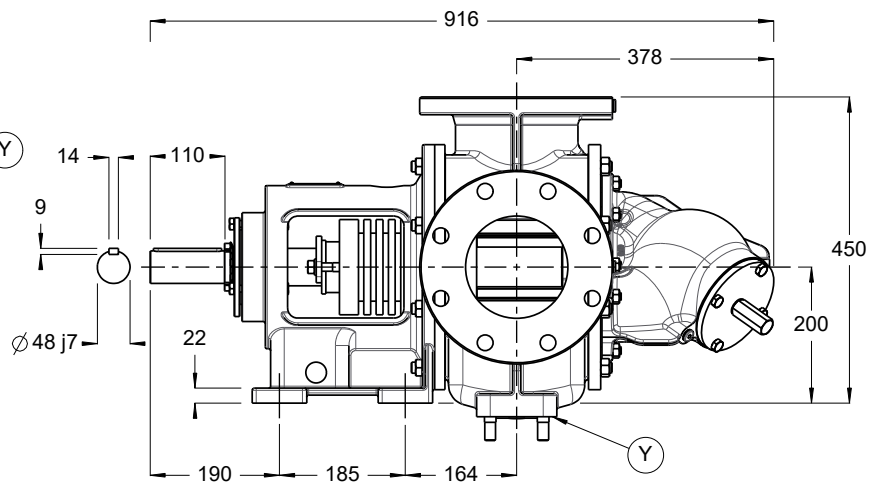
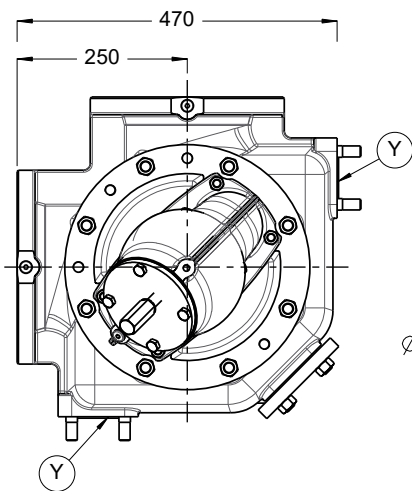
R151 .R.B+Y



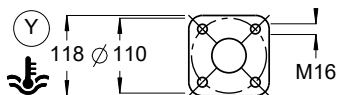
kg = 258
m³ = 0.36



kg = 245



ISO DN150 PN16
ANSI 6" 150lb



2x ISO DN40 PN16
Max. 10 Bar

